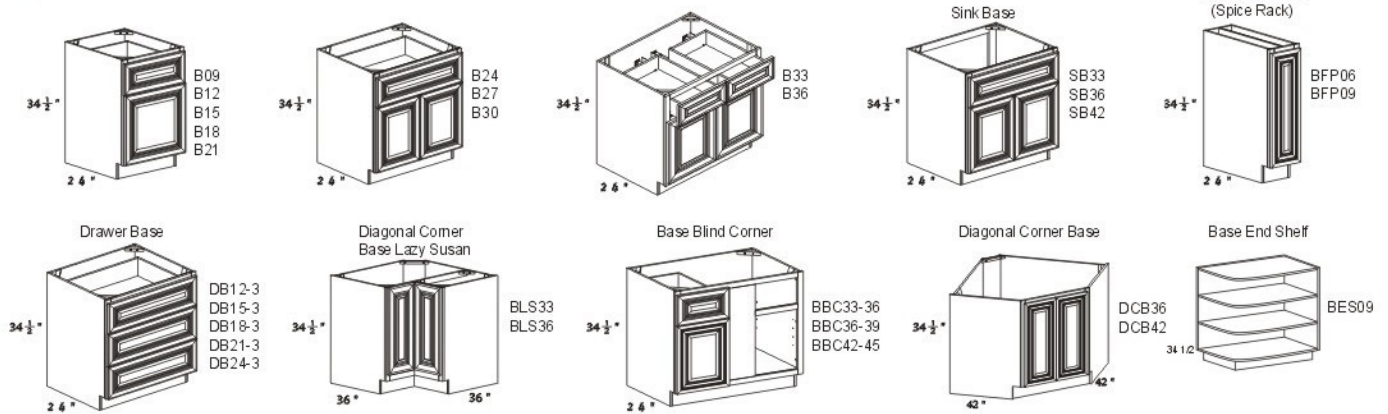
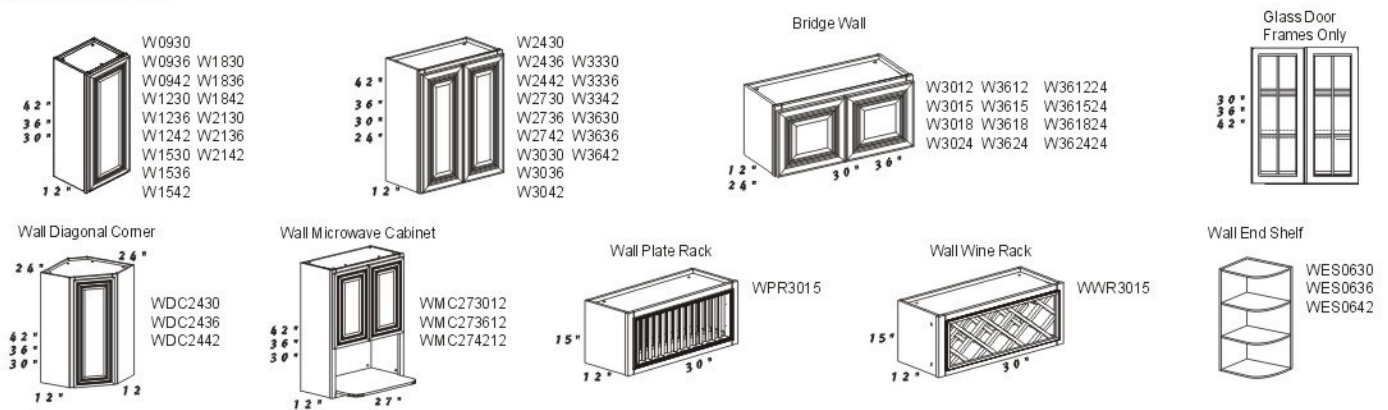


MAPLE SHAKER SERIES

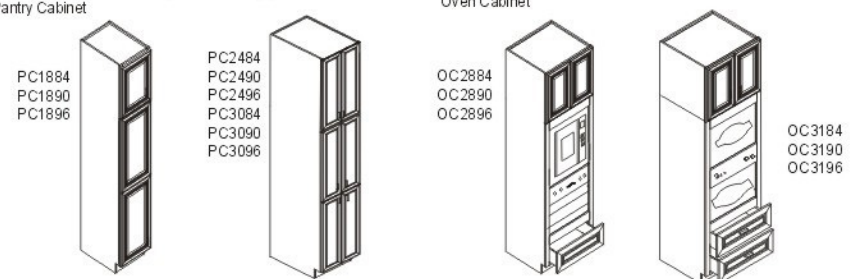
BASE CABINETS



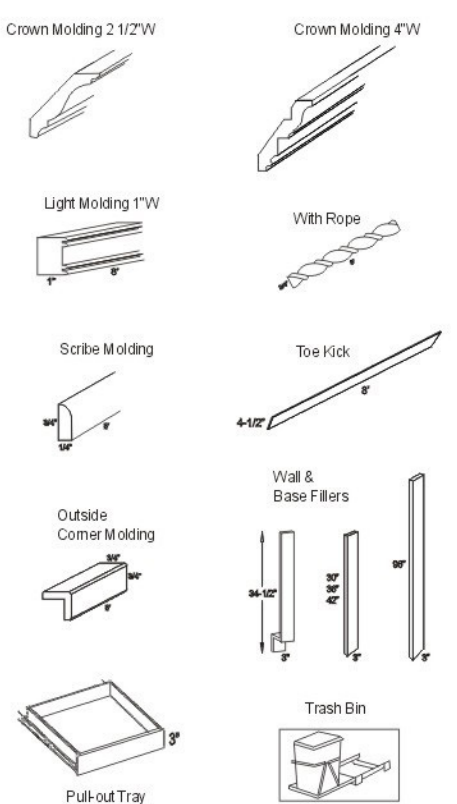
WALL CABINETS



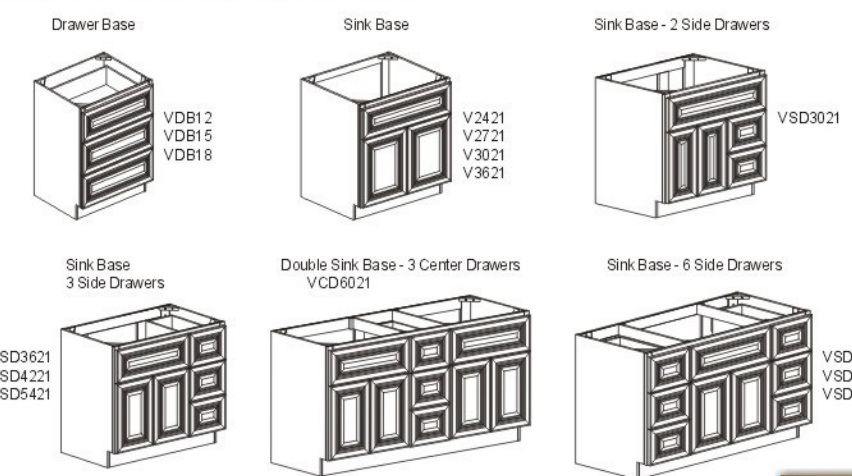
TALL CABINETS (24" Deep)



ACCESSORIES



VANITY CABINETS (30" High, 21" Deep)



Distributed By:

Note: Diagrams shown are for reference only. Actual door style shown here →



*Note that we are always in a state of contious improvement. Therefore we reserve the right to modify specifications without prior notice.